



# DPW | SOLAR

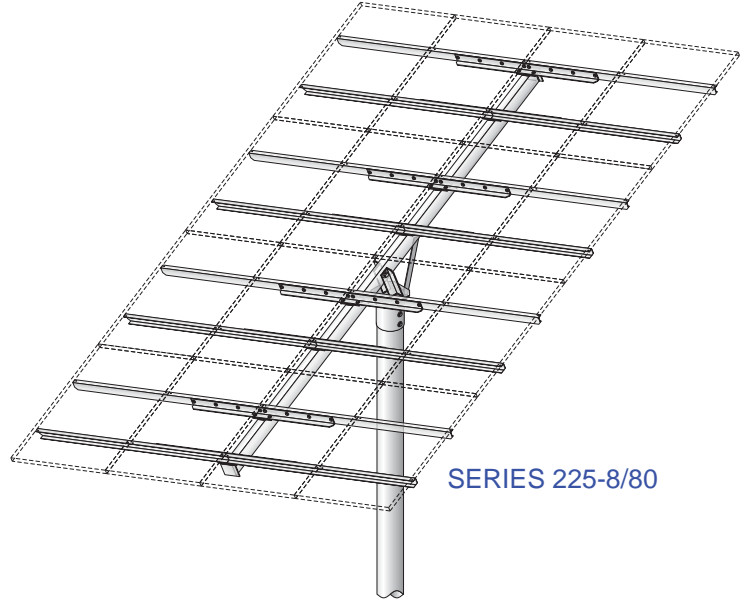


**PREFORMED** LINE PRODUCTS

## TOP-OF-POLE MOUNTS

Photovoltaic Module Mounting Structures

*chosen by professionals...*

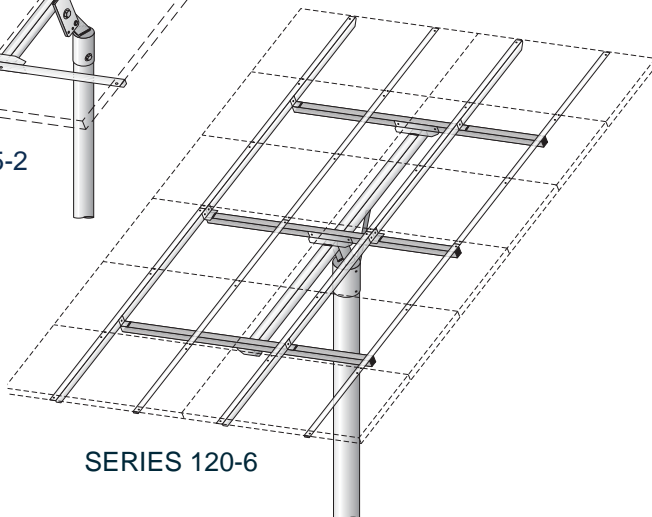


SERIES 225-8/80

*...favored by experienced installers for over 12 years.*



SERIES 15-2



SERIES 120-6



**POWER-FAB** products are manufactured by  
**DIRECT POWER AND WATER CORP.,**  
a division of **Preformed Line Products,**



## Features and Specifications

### DESIGN

POWER-FAB Top-of-Pole Mounts, manufactured by Direct Power and Water Corporation, are available in several sizes ranging from 1-module through 24-modules -- up to 260 square feet. The rack design is determined by the area of the module(s) to be mounted, not necessarily the number of modules.



SERIES 120-6

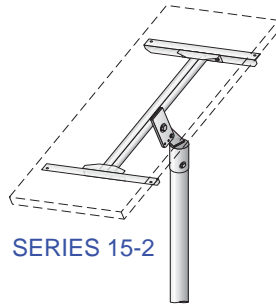
POWER-FAB Top-of-Pole mounts are designed for maximum strength and ease of installation. Our racks are module-specific and not universal, which helps to reduce the number of parts. This simplifies assembly and minimizes assembly errors.

No aluminum components are threaded to be attached to other components. All of our mounting sleeves are heavy gauge steel and have fully welded caps. Hardened bolts are used to lock the mounting sleeve to the pole.

### MODULE-SPECIFIC DESIGN

Using a module-specific design allows us to build racks with the fewest number of parts. All racks are made to fit the specific module that is to be mounted. This ensures that

the system is assembled in just the manner it is intended. No measuring or guesswork is required. All the



SERIES 15-2

holes are located exactly where needed. Gaps between modules are minimal and uniform. There will never be excess rack material extending beyond the modules.

### MATERIALS

Strongbacks, Elevation Pivots, and Mounting Sleeves are made of heavy gauge steel flat bar, square tubing, and pipe or mechanical tubing conforming to ASTM A36 and ASTM A500-Grade B. All parts are mig-welded, burrs are removed, corners are coped, and edges are sanded. All steel parts are coated with two coats of industrial urethane enamel paint.

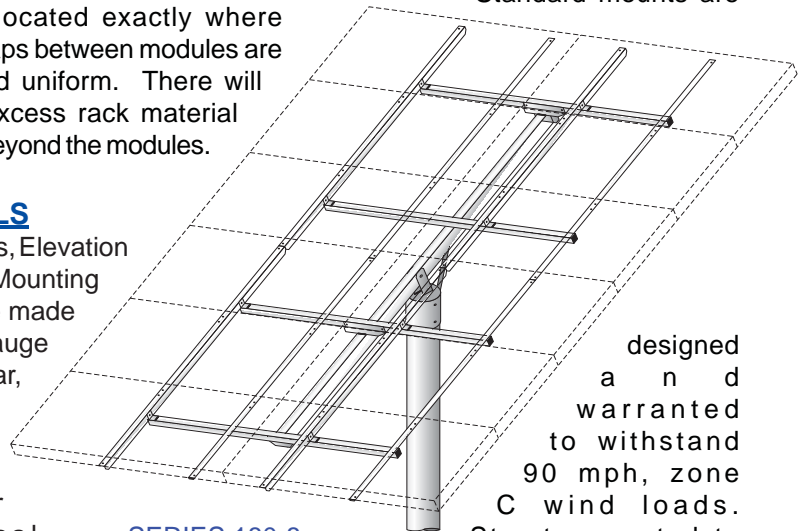
Solar module mounting rails are made of mill-finish 6061-T6 structural aluminum angle or channel. All holes are deburred, and edges are coped and sanded. Stainless steel module mounting hardware is provided with each rack. Standard rack assembly hardware is zinc-plated Grade 5. A stainless steel hardware upgrade is optional. (See back page.)

### ELEVATION ADJUSTMENT

All standard Top-of-Pole Mounts have six tilt-angle settings from 15° to 65° in 10° increments. The elevation adjustment is positive locking in each position eliminating the possibility of slippage. The racks are balanced about the pivot bolt to make elevation adjustments easy. Other tilt combinations and racks welded at fixed angles are offered as options.

### WINDLOADING CAPABILITY

Standard mounts are



SERIES 180-8

designed and warranted to withstand 90 mph, zone C wind loads.

Structures rated to withstand 130 mph wind loads are available. To specify the High Wind Version, add "-HWV" to the end of the part #.

### POLE MOUNTING

All racks have sleeves sized to slip over readily available standard sizes of installer-supplied SCH40 (Schedule 40) steel pipe. The largest mounts (225 ft<sup>2</sup> and above) mount on SCH 80 steel pipe. The mounting sleeves have set-bolts spaced 90° apart to firmly secure the rack to the pole.

What our dealers say about our racks:

"They are far superior to what I was using. I will make sure to specify your racks from now on. My installer was very impressed."

# Options And Accessories

## HIGH WIND VERSION for 130 MPH, Class C Wind Zone

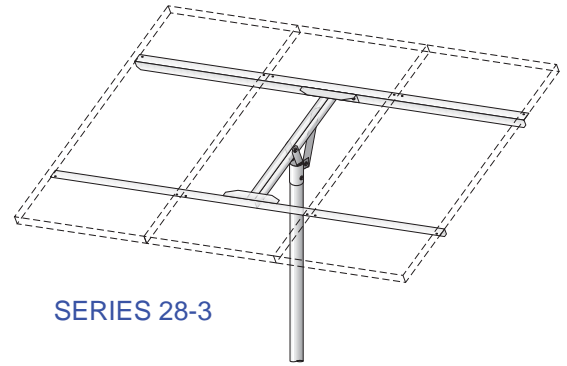
For High Wind version add "-HWV" to the end of the part number

Example: TPM12-BP365-HWV

Increase price 25% for the HWV option

## FINISH UPGRADE

Powder Coat w/ Mill Finish Module Mounting Rails	Add 35%
Hot-Dip Galvanized Steel w/ Anodized Module Rails	Add 80%
Stainless Steel Construction w/ Anodized Module Rails	CALL



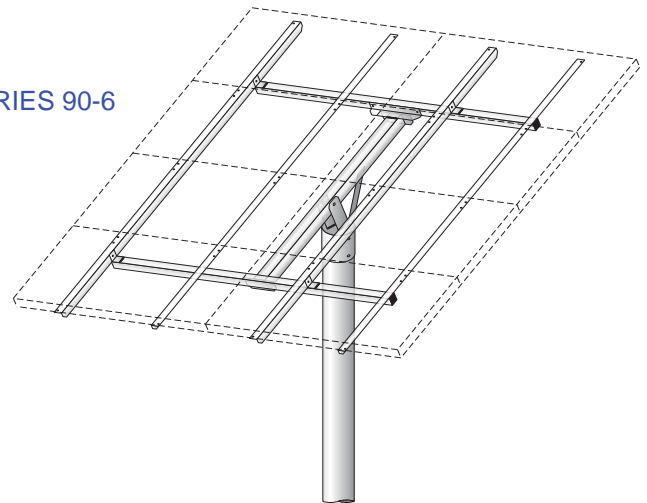
SERIES 28-3



SERIES 60-4



SERIES 90-6



Direct Power and Water Corporation  
 A division of Preformed Line Products  
 4000-B Vassar Drive NE  
 Albuquerque, NM 87107  
 PH: 800-260-3792  
 Fax: 505-889-3548  
 info@power-fab.com  
 www.power-fab.com